

BONALDO

Botón

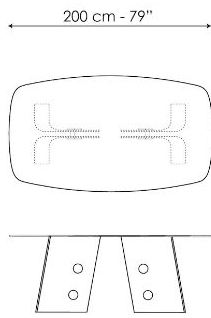


The name - "button" in Spanish – refers to the metal inserts applied to the base, which catch the attention due to the contrast they make with the table's overall image. The material of choice for Botón is fused tempered glass, a choice that accentuates the product's elegance and sophistication and which makes it the perfect piece to place in the centre of

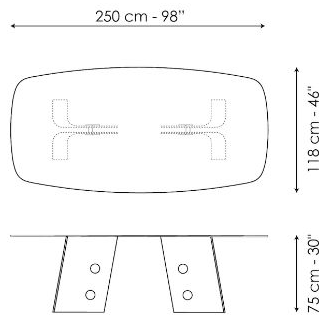
a space as the undisputed star of the dining room. The rounded rectangular top of the Botón table has a linear design, while each of the two legs that form the base is made of a pair of glass strips that extend outwards, forming an angle that gives this modern glass dining table stability.



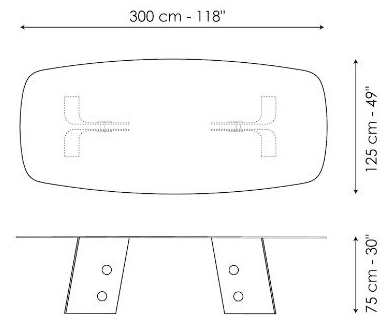
Data sheet



Width: 200cm
Depth: 110cm
Height: 75cm



Width: 250cm
Depth: 118cm
Height: 75cm

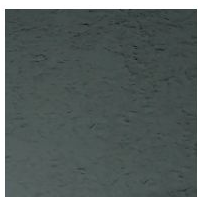


Width: 300cm
Depth: 125cm
Height: 75cm

Finishes

TOP AND BASE

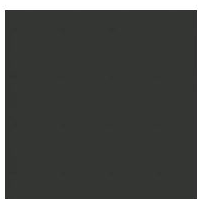
Glass



**Tempered cast
glass**
Smoked

BASE INSERTS

Plus Metal



Painted metal
Mat lead

You can find the complete collection of Bonaldo fabrics and leathers on the website <https://www.bonaldo.biz/>

