

# OZARK TABLE

1/2

The two tables, in rectangular and round versions, are inspired by the spectacular landscape of the U.S. Ozarks mountain range region: forests of towering trees with regular, straight trunks tend upward in contrast to the horizontal placidity of the lake. The tables seem to emulate these two opposite movements.

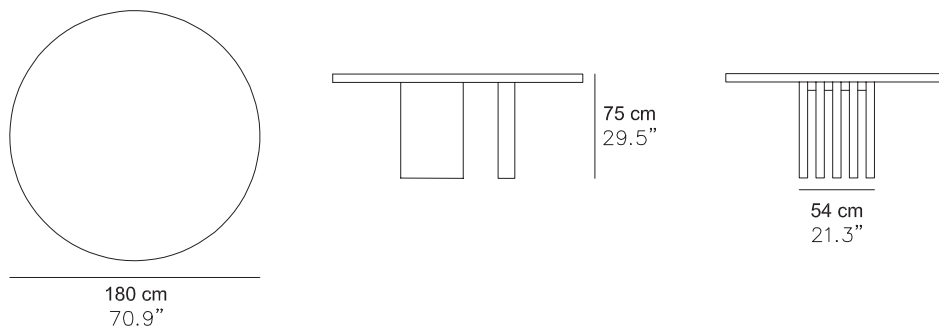
Base in curved plywood with Black Ash veneer in matt finish and iron legs with Pure Metal finish (Copper-Burnished Copper-Zinc). Empted mdf top with Black Ash veneer in matt finish.  
More wooden veneers, lacquered finishes and Pure Metal finishes are available as per sample book.

## DIMENSIONS

Ø180 x 75H cm

## CODE

S37



## STRUCTURE

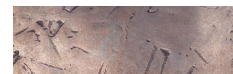
Base

100 Black Ash veneer matt

## FINISHES



130 Pure metal



Top

100 Black Ash veneer matt



# OZARK TABLE

2/2

The two tables, in rectangular and round versions, are inspired by the spectacular landscape of the U.S. Ozarks mountain range region: forests of towering trees with regular, straight trunks tend upward in contrast to the horizontal placidity of the lake. The tables seem to emulate these two opposite movements.

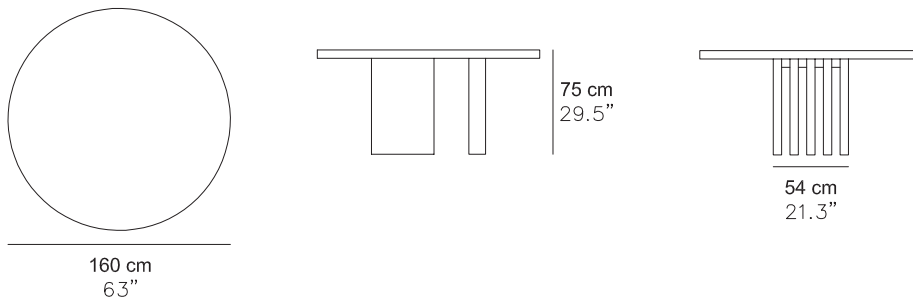
Base in curved plywood with Black Ash veneer in matt finish and iron legs with Pure Metal finish (Copper-Burnished Copper-Zinc). Empted mdf top with Black Ash veneer in matt finish. More wooden veneers, lacquered finishes and Pure Metal finishes are available as per sample book.

## DIMENSIONS

Ø160 x 75H cm

## CODE

S37-02

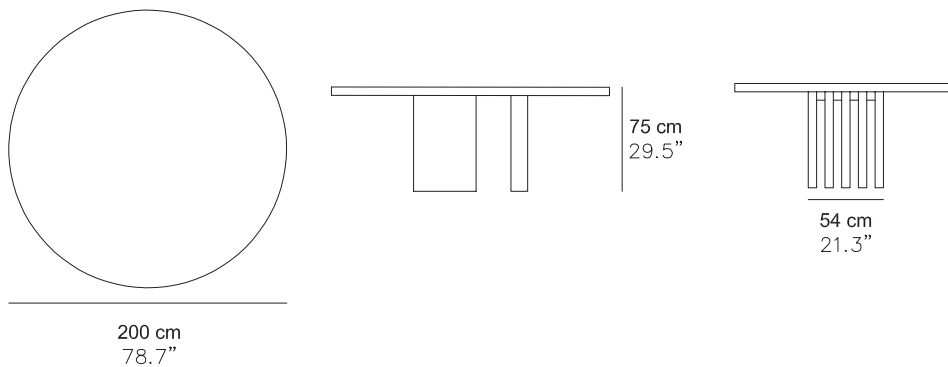


## DIMENSIONS

Ø200 x 75H cm

## CODE

S37-03



## STRUCTURE

Base

100 Black Ash veneer matt

## FINISHES



130 Pure metal



Top

100 Black Ash veneer matt

